

ABSOLUTE 2



www.spiritbysoundcraft.com

AMPLIFIER POWER

Absolute 2 can be powered from most good quality amplifiers: it has a long-term power rating of 100 Watts RMS with typical music signals, though a higher output amplifier (up to around 250 Watts into 8Ω) may be used with caution. It is important to ensure that the amplifier is not driven to “clipping”, i.e. overload distortion which can harm the speakers, or that highly compressed material with a predominant low frequency content is not played continuously through higher-powered amplifiers. The important point about high power amplifiers is not that they play louder but that they can deliver transients without strain.

CABLES

Although it may be possible to hear differences between one cable and another, most users will find that a good tonal balance will be obtained by using a reasonably heavy gauge copper cable.

For shorter runs between amp and speaker, 1mm² cable will be sufficient. Over 5 meters, proportionally thicker wire is advised, e.g. 4mm² on a 20 metre run.

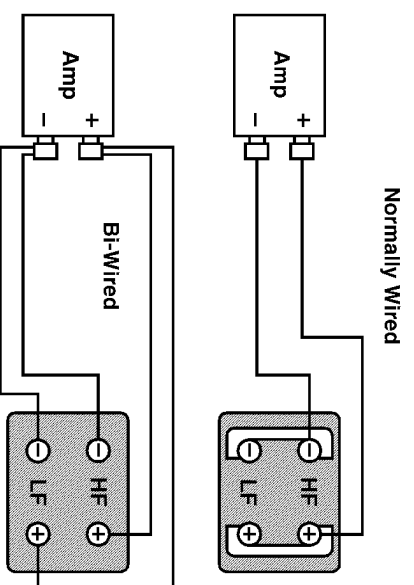
TERMINATION

Although it is possible to connect the speakers by stripping the ends of the wire and then clamping them with the terminals, it is better practice to properly terminate the cable ends with a 4mm plug or a 6mm fork terminal. This will avoid fraying of the ends of the cable, and prevent corrosion of the matching surfaces.

BI-WIRING

The 4 post terminal block on the rear of the speakers allows bi-wiring i.e. the use of separate cables for the LF and HF sections of the crossover. Bi-wiring can improve sound quality slightly by reducing the interaction between the drivers in the region of the crossover frequency.

To bi-wire the speakers, remove the shorting links between the pairs of terminals, and use two sets of parallel cables thus:-



SPECIFICATIONS

Power Handling (programme)	100 Watts RMS
Frequency Response (+2dB, -3dB)	45Hz-20kHz
Impedance	8W nominal
Sensitivity, for 2.83V @ 1m	90dB
Dimensions (HxWxD, mm)	395 x 235 x 297
Weight (net)	7kg approx

ABSOLUTE 2



www.spiritbysoundcraft.com

WARRANTY STATEMENT

1. Owner means the purchaser of the Equipment from Spirit by Soundcraft or its dealer, who is the legal and beneficial owner at the time the Warranty claim is made.
2. Dealer means the person other than Spirit by Soundcraft (if any) from whom the owner purchased the equipment, provided such a person is authorised for this purpose by Spirit by Soundcraft.
3. Equipment means the equipment sold with its warranty sheet.
4. If within the period of twelve months from the date of the delivery of the equipment to the owner, it shall prove defective by reason only of faulty materials and/or workmanship to such an extent that the suitability for the purpose for which it has been designed is materially affected, the equipment or, with the consent of Spirit by Soundcraft or the dealer, the defective component should be returned to the dealer or to Spirit by Soundcraft and subject to the following conditions the dealer or Spirit by Soundcraft will repair or replace any defective component. Any equipment or component replaced will become the property of Spirit by Soundcraft.
5. Any equipment or component returned will be at risk of the owner whilst in transit (both to and from the dealer or Spirit by Soundcraft) and postage and/or delivery charges must be prepaid.
6. This warranty shall only be available if:
 - a) the warranty registration has been returned to Spirit by Soundcraft within thirty days of purchase of the equipment by the owner.
 - b) the equipment has been properly installed in accordance with instructions contained in Spirit by Soundcraft's manual.
 - c) the owner has notified Spirit by Soundcraft or the dealer within fourteen days of the defect appearing.
 - d) no persons other than authorised representatives of the Spirit by Soundcraft or the Dealer have effected any replacement of the parts or carried out maintenance, adjustments or repairs to the equipment.
 - e) the owner has used the equipment only for such purposes as Spirit by Soundcraft recommends, with only such electrical and operating supplies as meet Spirit by Soundcraft's specifications and otherwise in all respects in accordance with Spirit by Soundcraft's recommendations.
7. Defects arising as a result of the following are not covered by this warranty: mishandling, chemical, electro-chemical, electromagnetic or electrical influences, accidental damage, acts of God, neglect, deficiency excess or surges in electrical power, air-conditioning or humidity.
8. The benefit of this warranty may not be assigned by the owner.
9. Owners who are consumers should note that their rights under this warranty are in addition to and do not affect any other rights to which they might be entitled against the seller of the equipment.

Absolute 2 - Product Registration
 You can also register online at: www.spiritbysoundcraft.com

Name..... What application will you use your
 Company Name..... Absolute 2 speakers for?
 Address.....
 Post Code..... Country.....
 Date of Purchase.....
 Purchase Price.....

Spirit Dealer
 Please send this product registration to the Spirit
 Product Registrations Unit:

Spirit Product Registration
 Harman International Industries Ltd,
 Cranborne House
 Cranborne Road, Potters Bar
 Hertfordshire, EN6 3JN, U.K.
 Tel: +44 (0)1707 665000
 Fax: +44 (0)1707 660742

DATA PROTECTION:
 We occasionally make our customer lists available to companies whose products and services we feel may be of interest. If you do not wish to receive such mailings please check this box

H A Harman International Company

ABOUT ABSOLUTE 2

Absolute 2 Professional Nearfield Monitors are designed to provide clean, undistorted sound, without the need for acoustically perfect environments or special amplification.

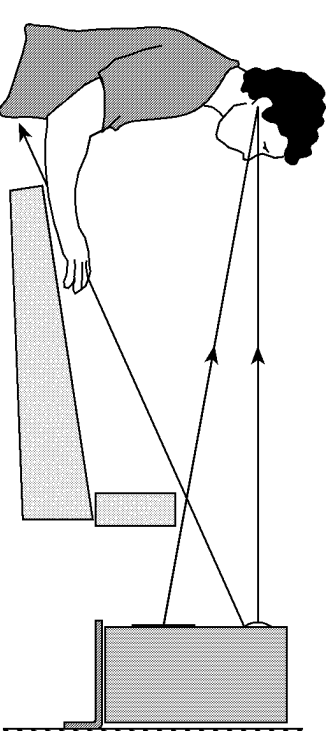
To achieve this, only the highest quality components are used. The ferro-fluid cooled soft-dome tweeter ensures minimal distortion, with excellent heat dispersion. Not only does that mean a more accurate sound, but it puts less strain on your ears after long periods of high-volume monitoring. The LF driver features a solid cast chassis and 30mm edge-wound voice coil, for optimum efficiency and cooling. The drivers are magnetically compensated, preventing picture distortion when placed next to sensitive video and computer screens. The electronic design of Absolute 2's crossover uses high quality components in a circuit that embodies classically simple design principles.

The vented cabinet employs a special port design that does more than simply deliver extended bass response: with its carefully chosen dimensions, air turbulence is reduced, contributing to Absolute 2's smooth, uncoloured low frequency characteristics.

Although Absolute 2 is very adaptable, a few basic considerations will ensure the best results.

POSITIONING

Absolute 2 is designed for nearfield monitoring, so the distance from the speakers to your ears will be shorter than for traditional monitors. This means that the reverberation time and general acoustics of the listening room are less critical. Hard surfaces will, however, reflect the higher frequencies so try to avoid putting Absolute 2 close to side walls. The control surface of your mixing console may also pose a problem. To minimise control surface reflections, position Absolute 2 as shown in the illustration, using the meter bridge or rear panel to block sound from both drivers reaching the control surface. Make sure that your ears can "see" both HF and LF drivers. If your console has no meter bridge, try positioning the Absolute 2's higher or further behind the desk. Absolute 2 is designed to be used in the upright position, but if horizontal placement is unavoidable, position them with their high frequency drivers to the outer edges. Absolute 2's low frequencies will generally sound better if the cabinet is against a wall. If possible, provide a rigid surface (e.g. shelf) that is separate from the mixing console and other equipment. The speakers should roughly form a 60° angle at the listening position, and should be angled towards the listener(s).



ABSOLUTE 2

ABSOLUTE 2

Spirit By Soundcraft
 Harman International Industries Ltd.
 Cranborne House
 Cranborne Road
 Potters Bar
 Hertfordshire
 EN6 3JN
 U.K.

Tel: +44 (0)1707 665000
Fax: +44 (0)1707 660742
e-mail: spiritinfo@soundcraft.com
website: http://www.spiritbysoundcraft.com

Absolute 2 User Guide
 Iss. 2.00 © May 2000

BUSINESS REPLY SERVICE
 Licence No. WDB 161

Postage Prepaid **ONLY** if posted within the UK
 Affix Stamp if posted outside the UK



Spirit Product Registration
 Harman International Industries Ltd.
 Cranborne House
 Cranborne Road
 Potters Bar
 Hertfordshire
 EN6 3BR
 U.K.

